

Border Barriers

Revised 8-29-2020

Introduction:

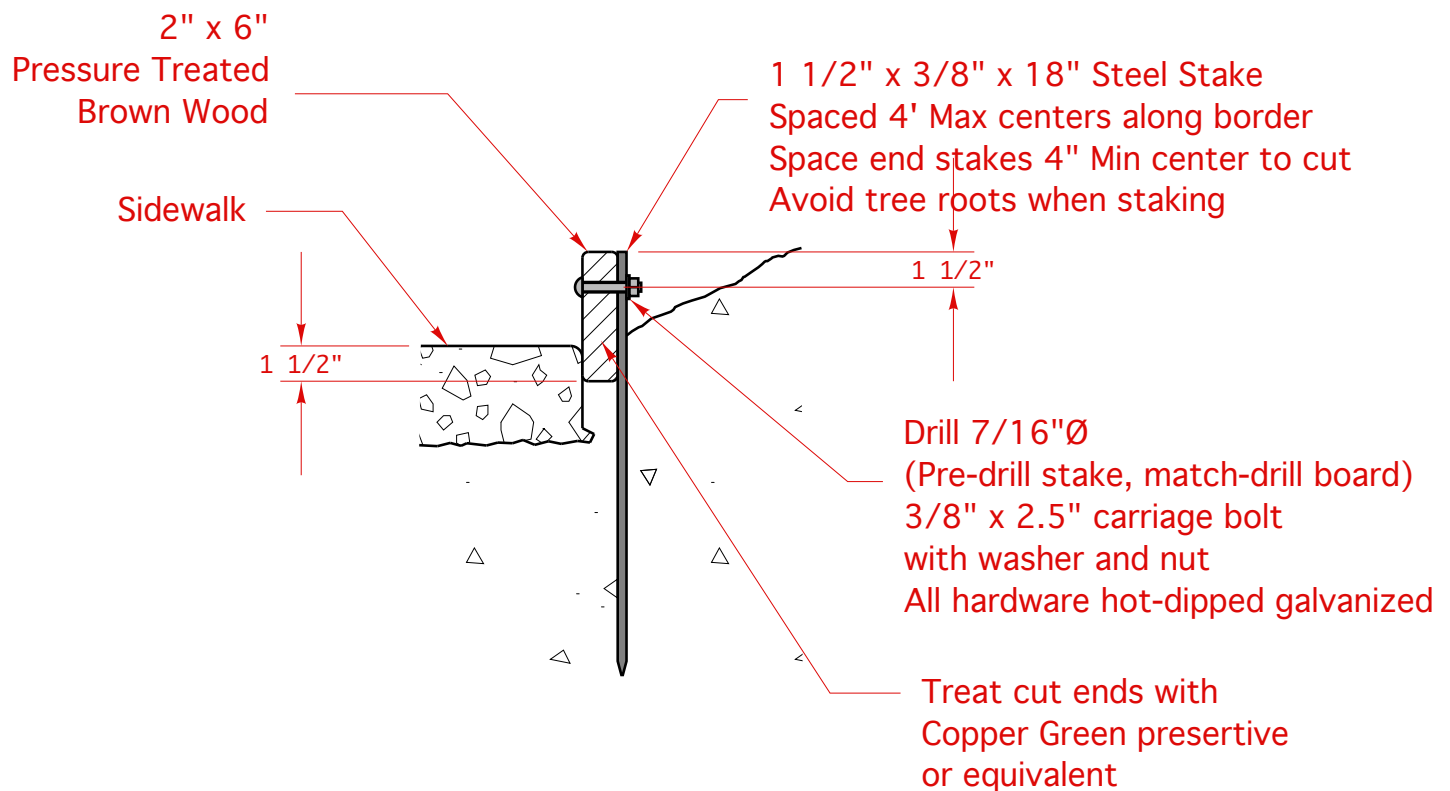
To facilitate border barrier installations and updates, the Landscape Committee has created standardized designs.

Sidewalk Border as Embankment Erosion Barrier, Basic Construction:

Guidelines are approximate.

Materials:

- 2" x 6" Pressure Treated Wood (Can substitute wider wood for taller solutions. For taller than 12", see retaining barrier")
- 1.5" x 3/8" x 18" long Steel Form Stakes, pre-drilled per drawing (Use 2' stakes for 10" to 12" wide wood)
- 3/8" x 2.5" long carriage bolt with washer and nut, all hot-dipped galvanized
- Copper Green Preservative or equivalent



Retaining Barrier, Basic Construction:

Guidelines are approximate.

Materials:

- 2" thick Pressure Treated Wood (1.5" actual), width as needed. Do not exceed 23" high.
- 4" x 4" Pressure Treated Posts
- 3/8" x 6" long Carriage bolts with washers and nuts, all hot-dipped galvanized
- Copper Green Preservative or equivalent

